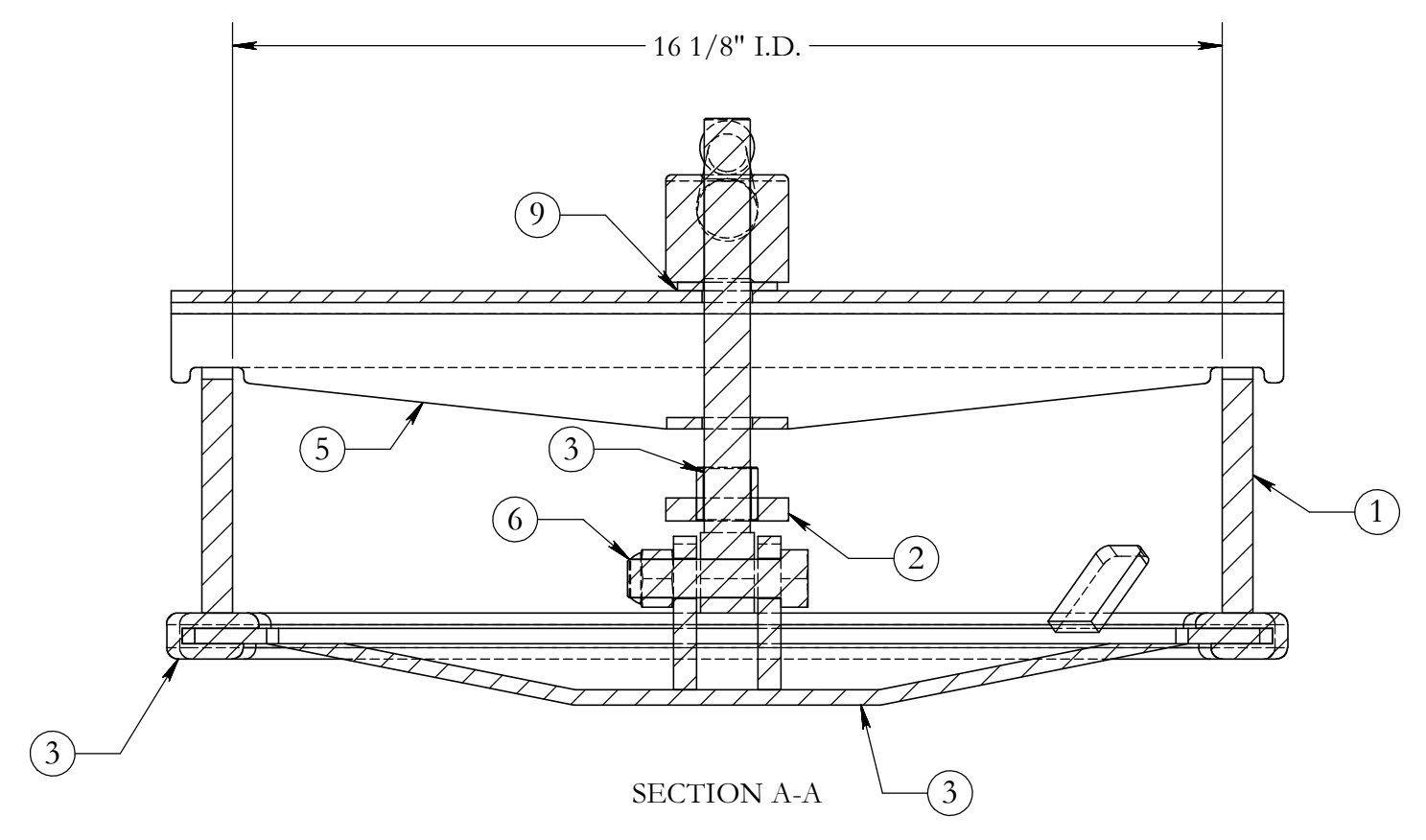
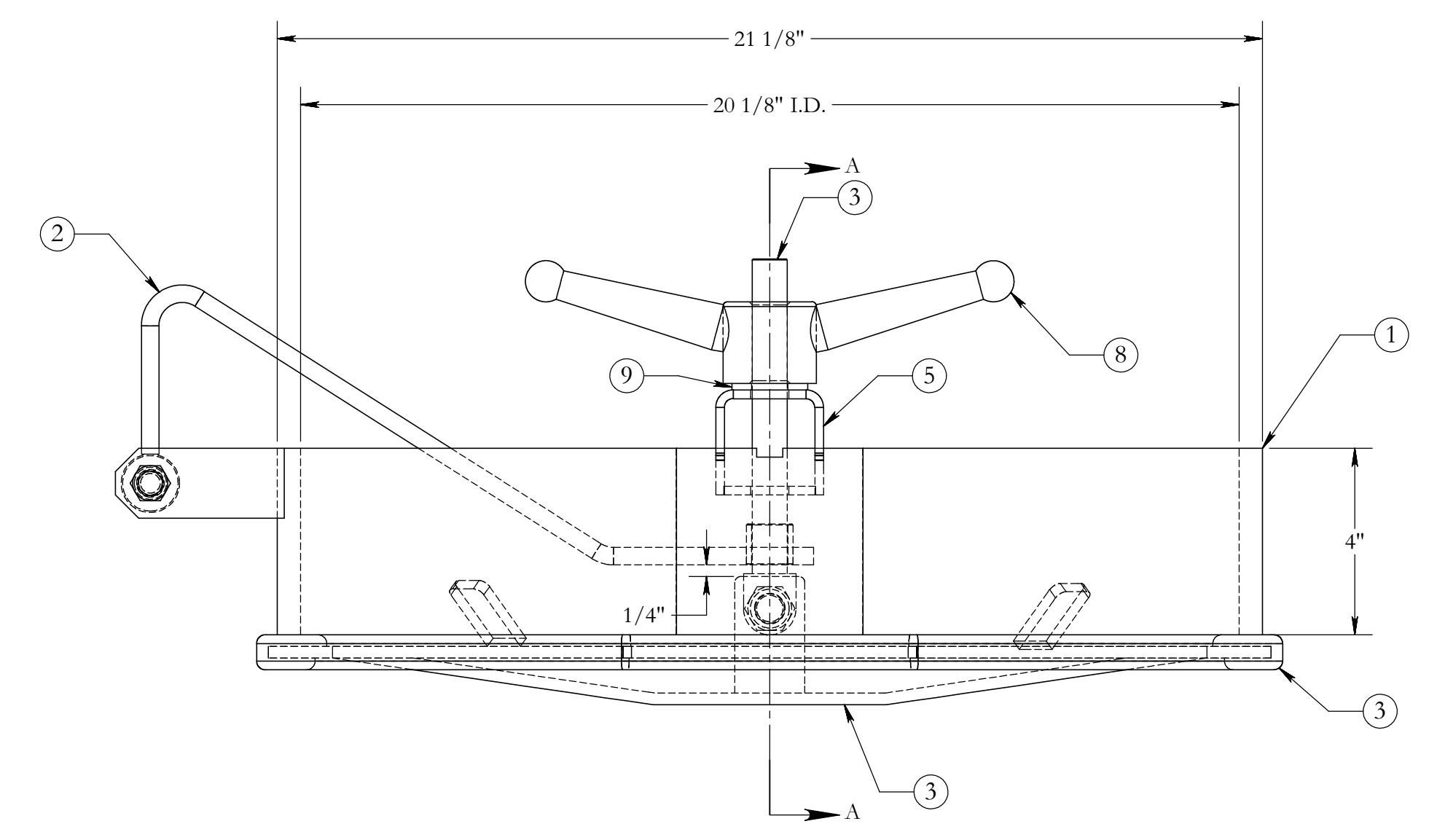
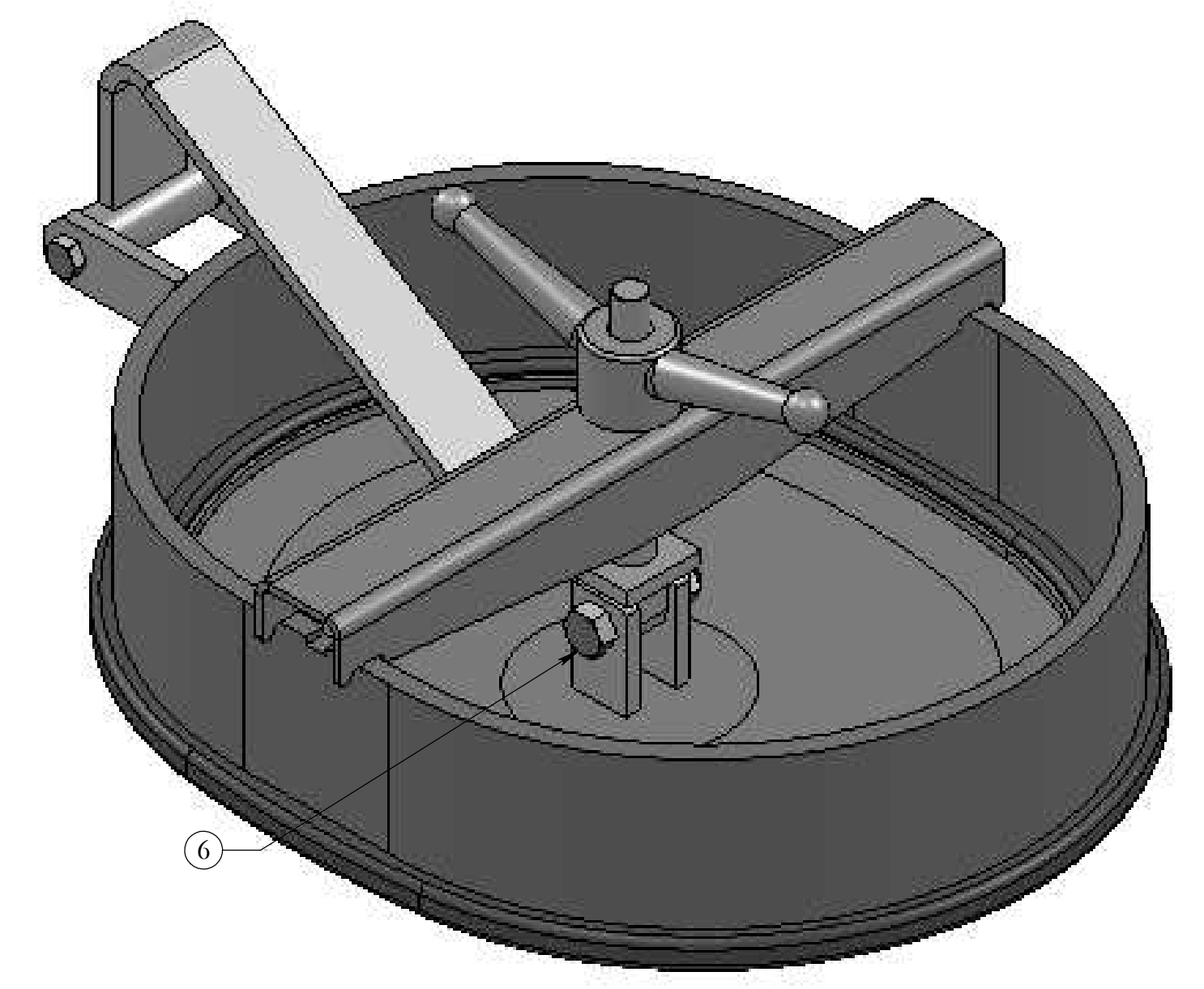
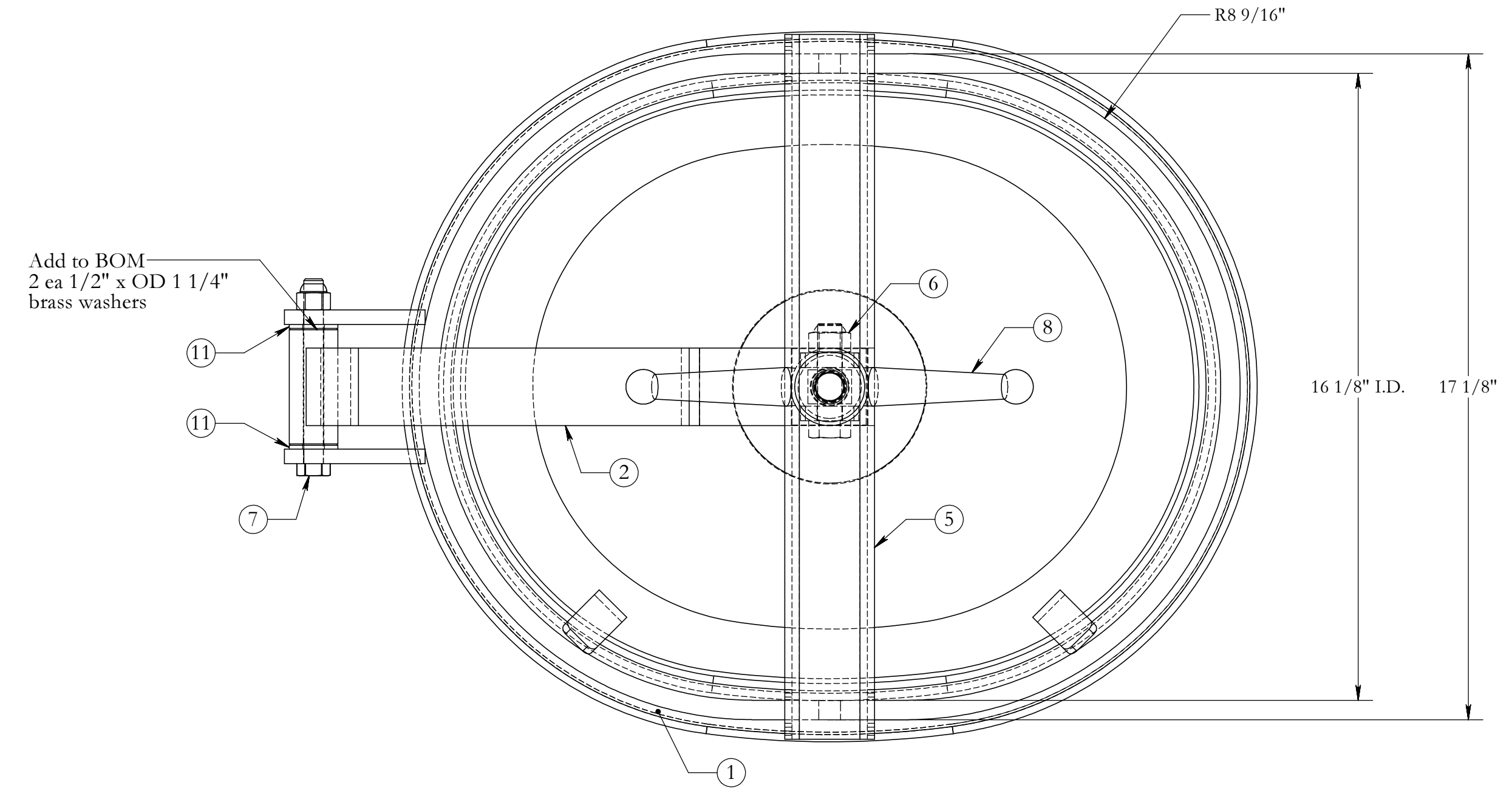


REVISIONS		
REV	DESCRIPTION	DATE
A	Release to Production	04/23/2012
B	Revised cross arm bar	5/27/2015



ITEM	QTY	DESCRIPTION
11	2	Ø1/2" id x Ø1 1/4" od brass washer
10	1	MN-1620 - Newly winery gasket #wg-32 (black)
9	1	Ø3/4" id x 1 5/8" od brass flat washer
8	1	Speed handle - 3/4"-10 unc brass SSWI # 997
7	1	Ø1/2"-13 unc hex hd bolt & nylock nut assembly
6	1	Ø5/8"-11 unc hex hd bolt & nylock nut assembly 304 ss
5	1	Cross arm bar assembly 304 ss #4 (MN-1620-015)
4	1	Rod end eye bolt - 3/4"-10 unc 304 ss x 7 1/2" lg
3	1	MN-1620 door assembly (MN-1620-002)
2	1	MN-1620 - swing arm assembly (MN-1620-002)
1	1	MN-1620 - rim assembly (MN-1620-002)

NOTICE:
 This print is the sole property of Sanitary Stainless Welding, Inc. The design concept and any technical data contained herein is the intellectual sole property of Sanitary Stainless Welding, Inc. Reproduction of this drawing is prohibited unless written permission from Sanitary Stainless Welding, Inc. is granted.
 Call (509) 233-7116 for written permission.

Approved	Date	Drawn by	Revised
	04.23.12	GDK	Rev B
Customer			
SSWI			
Description			Sheet number of
MN-1620 MANWAY			
2550 S. East Avenue - Suite 101 B Fresno, CA 93706			Drawing number
SSWI SANITARY STAINLESS WELDING, INC.			MN-1620-001

DO NOT SCALE THIS DRAWING